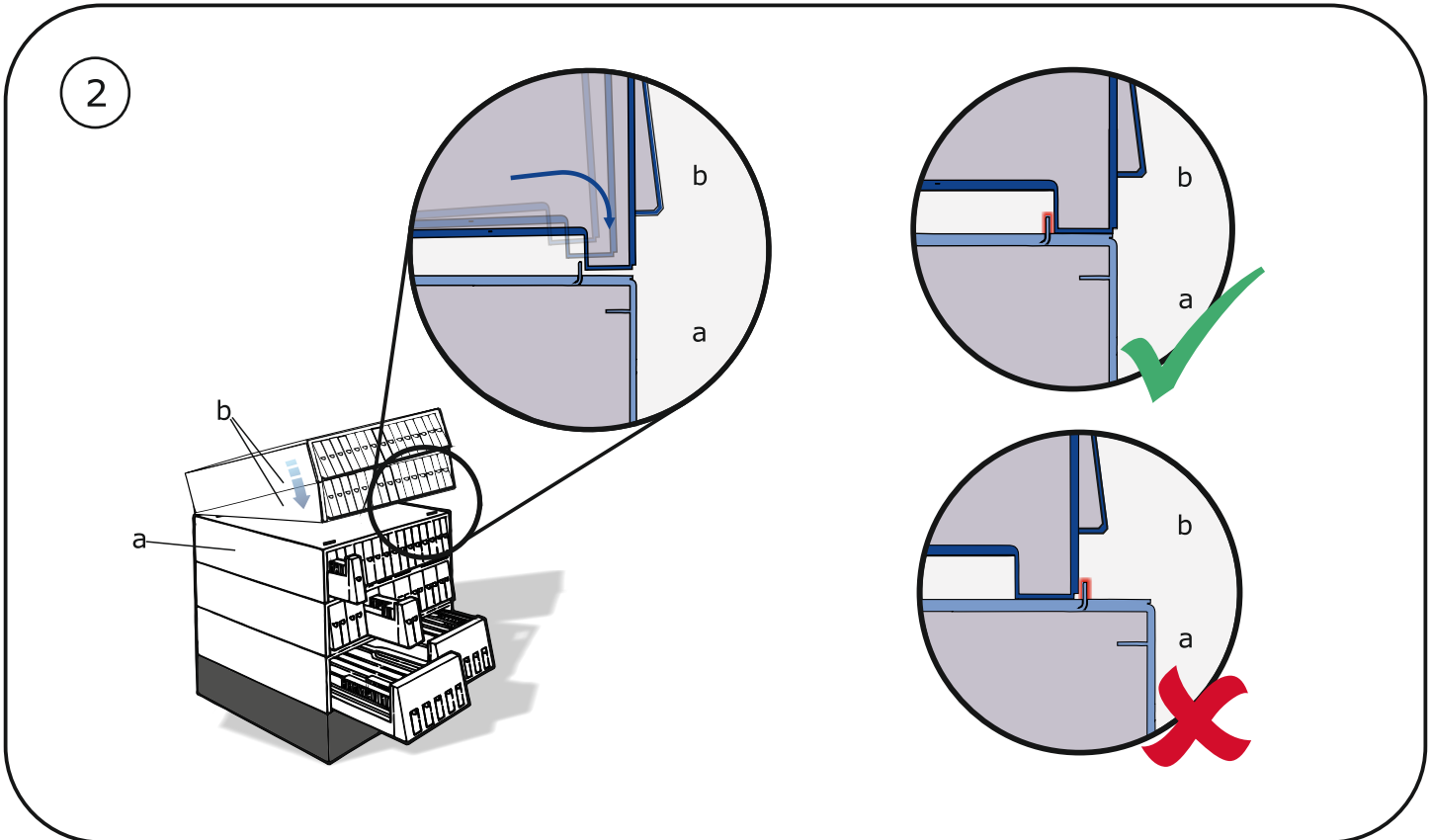
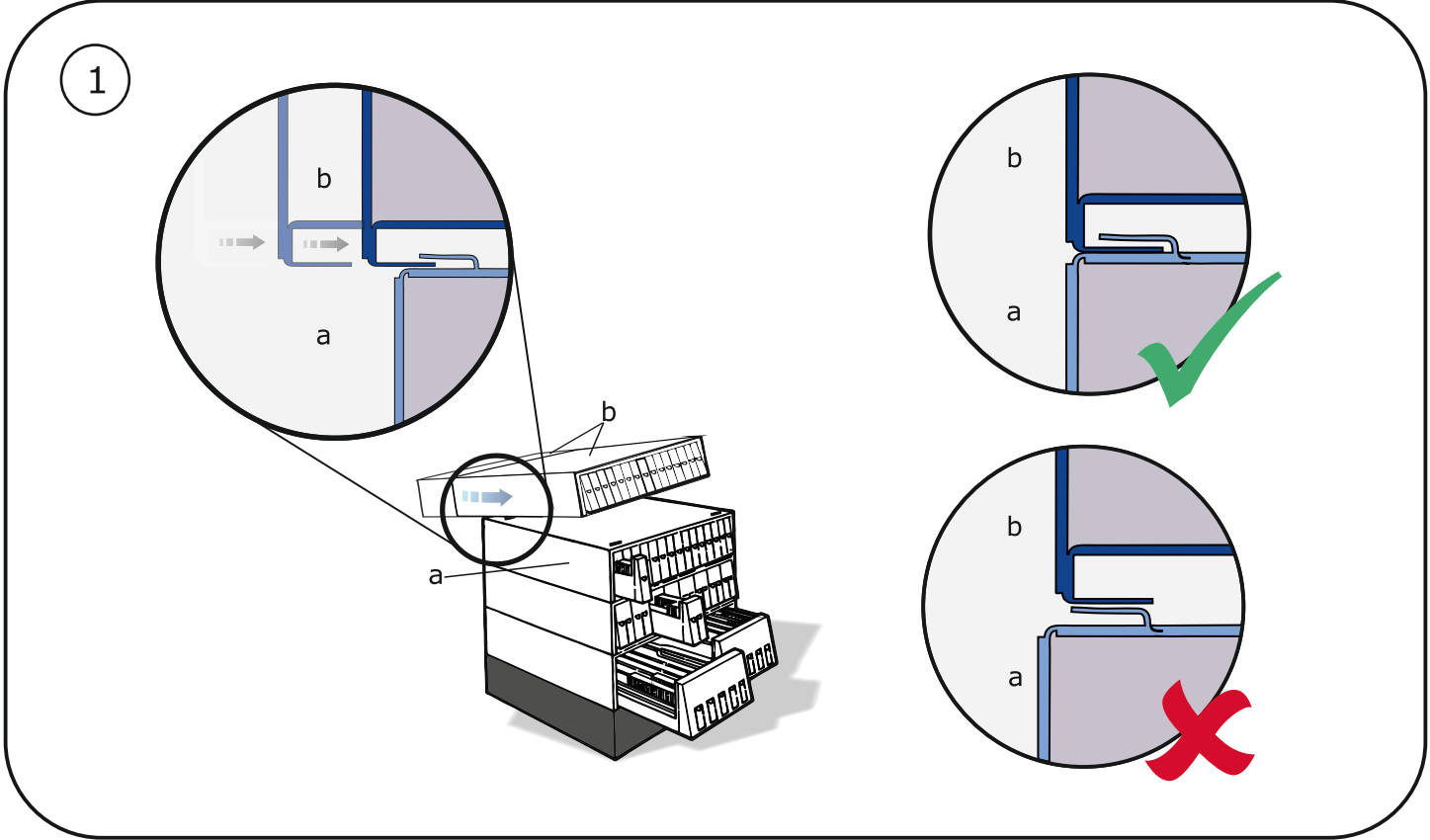
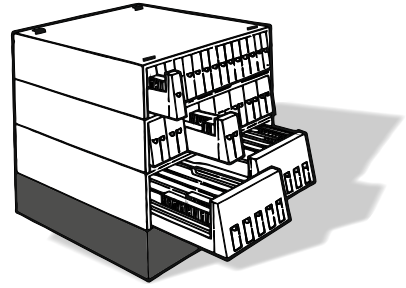
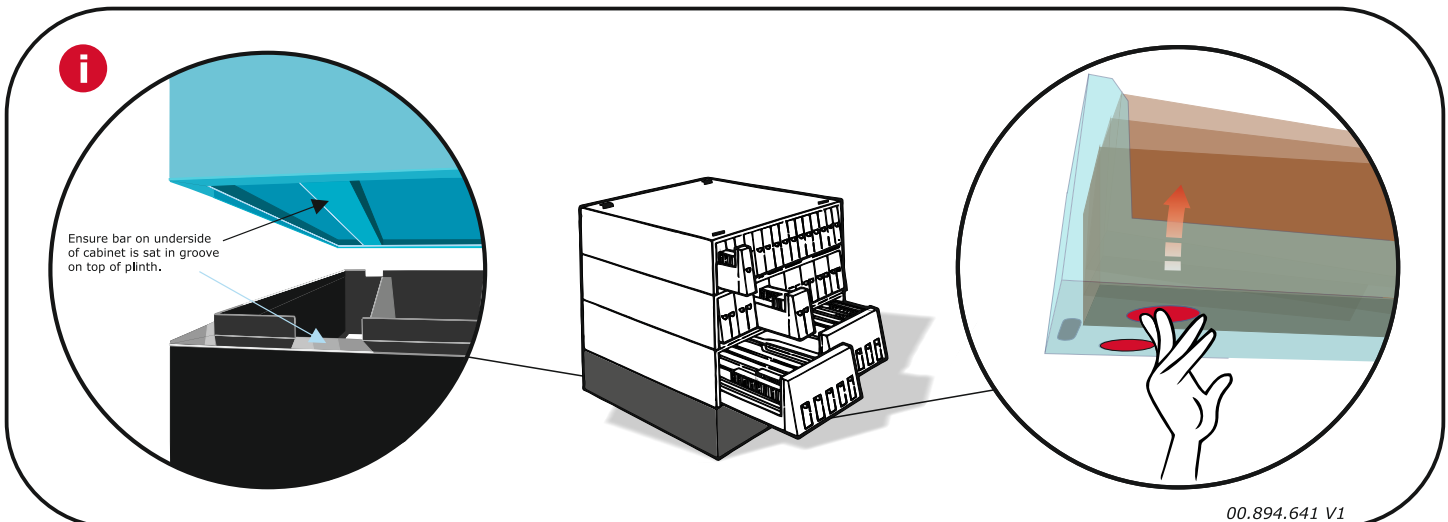
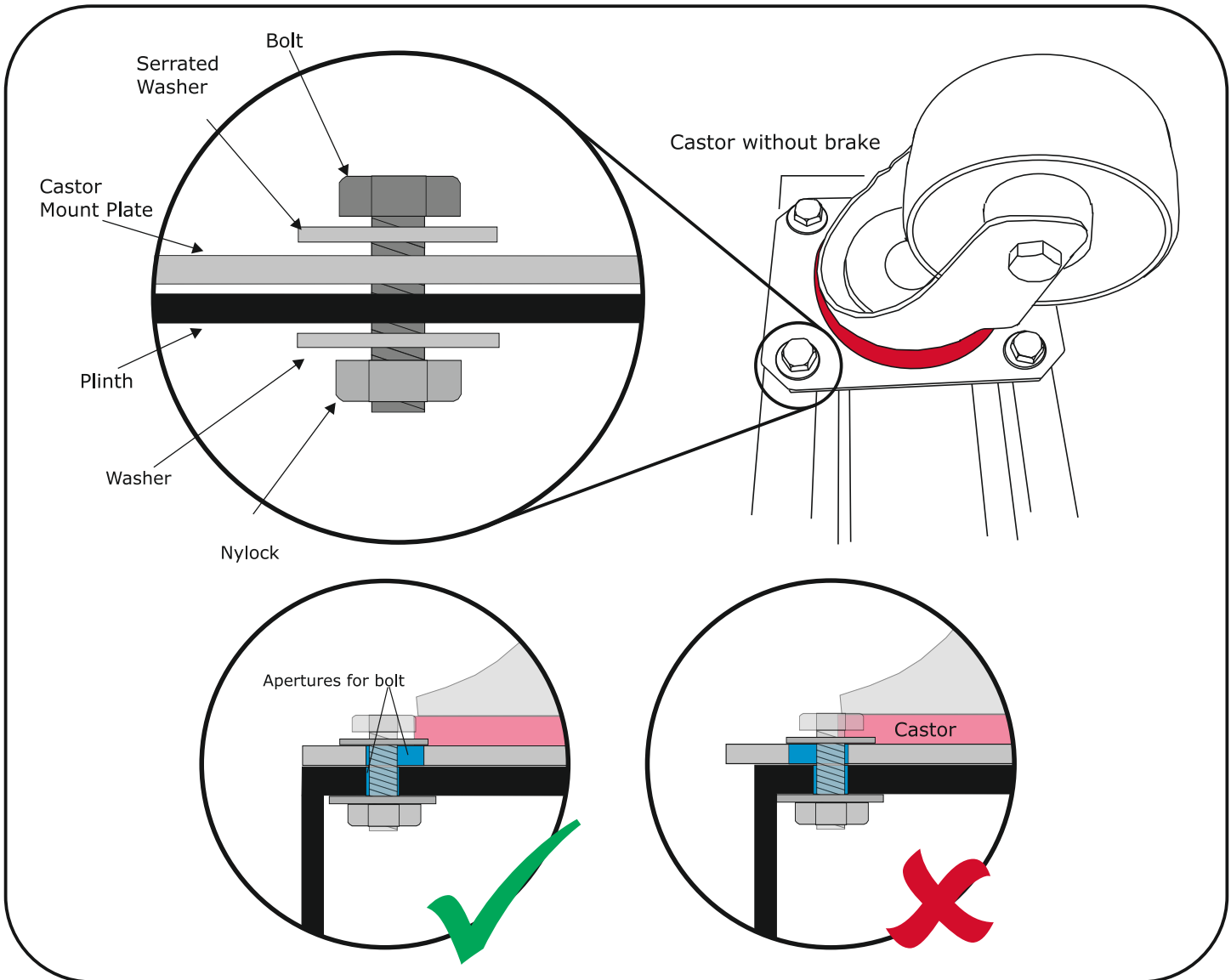
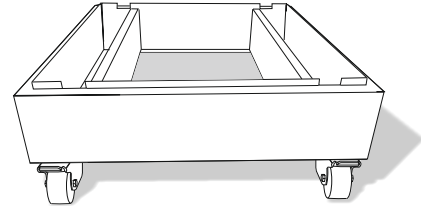


How to 'dock and lock' the OmniStor Cabinet range



How to fit the castors to the Omnistor Base



00.894.641 V1